

140mm

140mm

140mm

摺線勿印出



WINDPOWER PRO

Windpower Pro User Manual
散熱器說明書

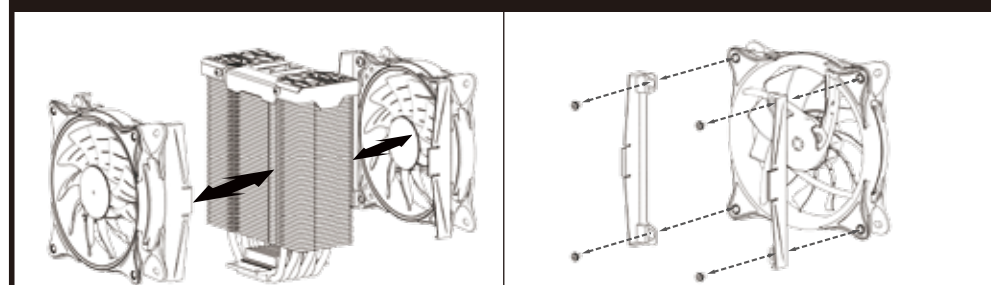
Windpower Pro Accessories

1 Air CPU Cooler 空冷散熱器	2 120mm RGB Rainbow LED PWM Fan 120mm RGB 幻彩LED PWM 風扇 X2	3 Intel Cooler Base Mounting Bracket Intel 散熱器底座固定支架	4 AMD Cooler Base Mounting Bracket AMD 散熱器底座固定支架
5 Intel 2011 / 2066 Cooler Base Mounting Bracket 散熱器底座固定支架	6 Intel/AMD Mounting Bracket Screw Intel/AMD 固定支架螺絲 X4	7 Intel/AMD Reinforced Metal Backplate Intel/AMD 金屬強化背板	8 Intel/AMD Backplate Screw Bolt Intel/AMD 強化背板螺柱 X4
9 Intel/AMD Backplate Screw Bolt Washer Intel/AMD 強化背板螺柱墊片 X4	10 Intel/AMD Backplate Insulation Pad Intel/AMD 強化背板絕緣墊	11 Intel/AMD Spring Screw Nut Intel/AMD 彈簧螺母 X4	12 Intel/AMD Stand-off Intel/AMD 套筒 X4
13 Metal Wire Fan Mounting Clips 金屬風扇安裝鐵絲扣 X4	14 Fan Clip Cushion Pad 風扇安裝扣具墊片 X4	15 Thermal Paste 散熱膏	16 ARGB Fan Cable ARGB 主板同步線
			17 PWM Cable/PWM風扇線

Intel LGA 115x/1366

- Insert screw bolts to Intel 115x or 1366 backplate mounting holes.
 - Install screw bolt washers to lock the screw bolts & backplate.
 - Stick insulation pad on the backplate (Intel logo side).
 - 安裝螺柱對準後插入 Intel 115x 或 1366 強化背板孔位
 - 安裝強化背板絕緣墊片，套上螺柱後壓緊
 - 黏貼強化背板絕緣墊 (Intel Logo面)
- Make sure the screw bolt is lock in on the backplate.
 - Install the backplate to motherboard.
 - 請確認螺柱有正確鎖定在強化背板上
 - 安裝強化背板對準主機板安裝孔
- Remove cooler base protective film.
 - 移除散熱器底座保護膜
- Clean the CPU surface.
 - Apply and spread the thermal paste to CPU evenly.
 - Place the stand-off to backplate screw bolt.
 - CPU 表面擠適量散熱膏，塗抹均勻
 - 放置套筒到強化背板螺柱
 - 安裝 Intel 散熱器底座固定支架
- Install the Intel cooler base mounting brackets.
 - 安裝 Intel 散熱器底座固定支架
- Align the Intel cooler base mounting brackets to backplate screw bolts, then place the air cooler on the CPU carefully.
 - Using spring screw nuts to complete the air cooler and motherboard installation.
 - 安裝散熱器對準背板螺柱後放置在 CPU 上
 - 使用彈簧螺母完成散熱器及主機板的安裝
- Install cooling fan using included fan clips.
 - 安裝散熱風扇
- Connect cooling fan 4Pin PWM connector to motherboard CPU Fan socket.
 - 連接散熱風扇 4Pin PWM 接頭到主機板 CPU Fan 孔位

Cooling Fan Installation A



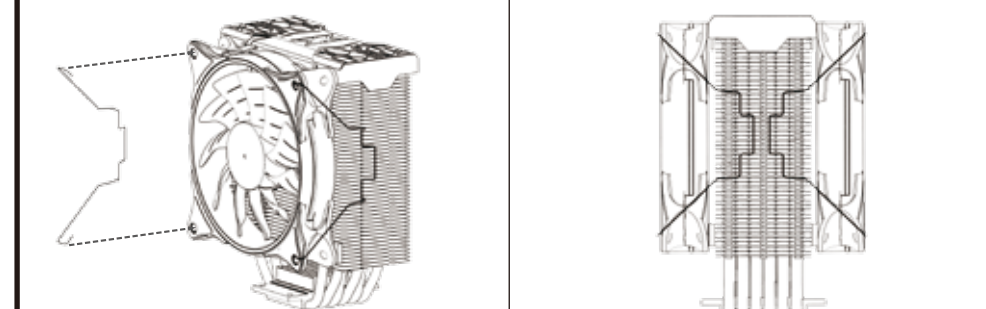
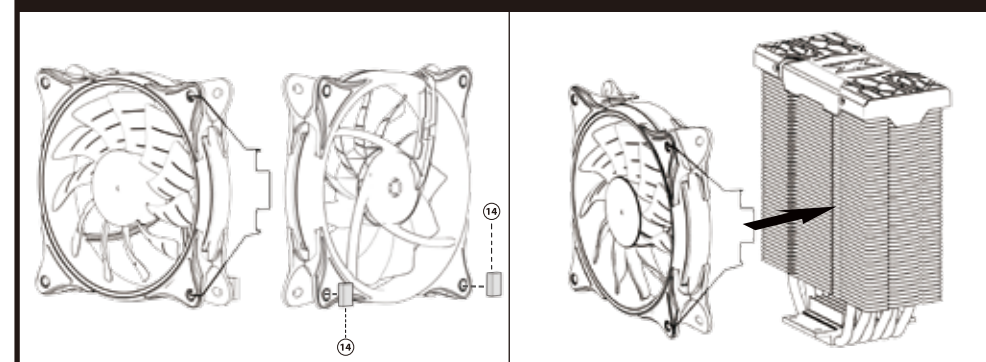
- Please remove the dual fan before cooler installation, so there is no interference during installation.
- If you like to adjust the fan position for aesthetic purpose or avoid cooling fan touching the component with special design motherboard, please use Cooling Fan Installation B.

- 安裝散熱器時請移除雙風扇確保安裝過程中沒有任何零件干涉
- 如果因外觀需求或特殊主板零件干涉問題，您可以使用 Cooling Fan Installation B 方案。

- Keep and store the product away from the reach of children.
- Check the component list and condition of the product before installation. If there is any problem, contact the shop where you purchased to get a replacement or refund.
- Xigmatek Co., Ltd. is not responsible for any damages due to external causes, including but not limited to, improper use, problems with electrical power, accident, neglect, alteration, repair, improper installation, and improper testing.
- CPU and motherboard are subject to damage if the product is incorrectly installed.

- 請放置于兒童無法接觸的地方。
- 安裝前請檢查產品及零件包，如有任何問題，請聯絡購買商店。
- 產品因非自然的外在因素所造成的損壞，如有下列狀況發生，則產品皆不適用於富鈞科技產品保固條款，因意外事件、人為破壞、誤用、未授權拆卸、天然災害、錯誤安裝或電源問題所造成之損壞。
- CPU & 主機板如未按標準安裝，不適用於富鈞科技產品保固條款。

Cooling Fan Installation B



- Stick the fan clip cushion pad the bottom of cooling fan screw holes, this only apply when top of the fan is touching the top RGB cover.
- Clip the cooling fan to the heatsink, repeat again for second fan to complete the dual fan installation.

- 請黏貼風扇扣具墊片在風扇底部兩個螺絲孔位，此墊片用於風扇上方有接觸RGB上蓋時的狀況
- 使用鐵絲風扇扣具安裝風扇，重覆相同步驟完成另一側風扇安裝

148.5mm

148.5mm

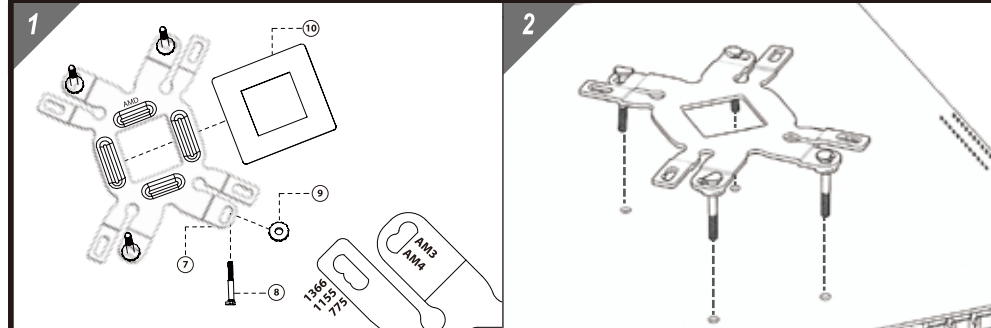
140mm

140mm

140mm

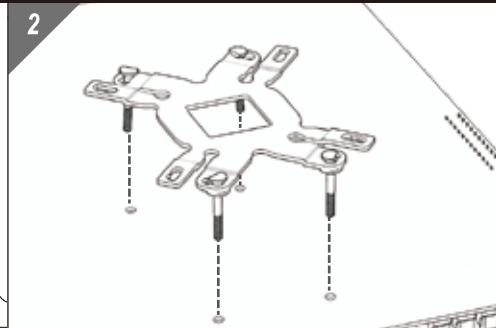
摺線勿印出

AMD AM3/AM4



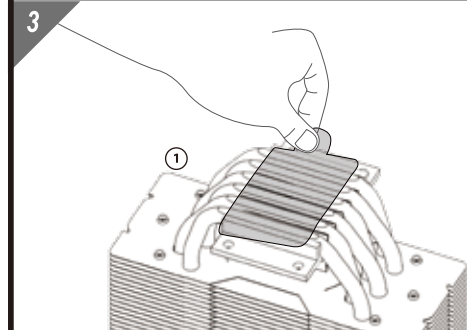
- 1 Insert screw bolts to AMD AM3 or AM4 backplate mounting holes.
- 2 Install screw bolt washers to lock the screw bolts & backplate.
- 3 Stick insulation pad on the backplate (AMD logo side).

- 1 安裝螺桿對準後插入AMD AM3或AM4強化背板孔位
- 2 安裝強化背板絕緣墊片，套上螺桿後壓緊
- 3 黏貼強化背板絕緣墊 (AMD Logo面)



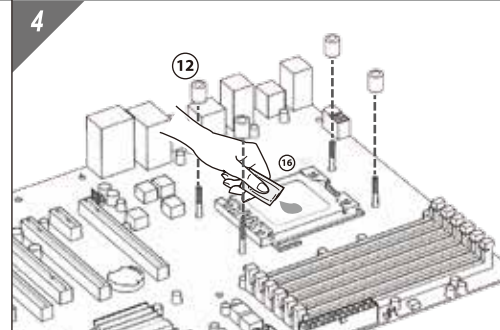
- 4 Make sure the screw bolt is lock in on the backplate.
- 5 Install the backplate to motherboard.

- 4 請確認螺桿有正確鎖定在強化背板上
- 5 安裝強化背板對準主機板安裝孔



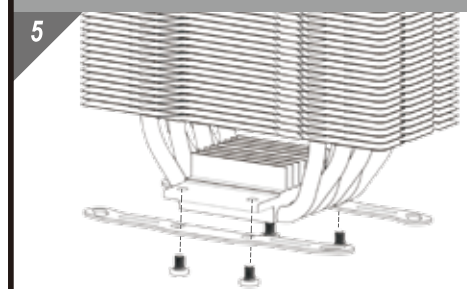
- 6 Remove cooler base protective film.

- 6 移除散熱器底座保護膜



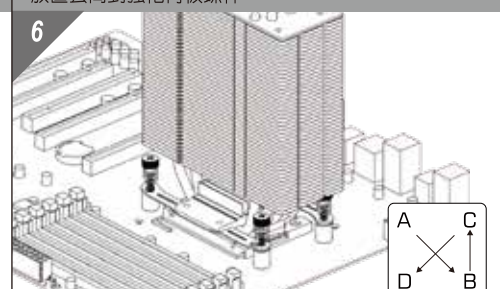
- 7 Clean the CPU surface.
- 8 Apply and spread the thermal paste to CPU evenly.
- 9 Place the stand-off to backplate screw bolt.

- 7 清潔CPU表面
- 8 CPU表面擠適量散熱膏，塗抹均勻
- 9 放置套筒到強化背板螺桿



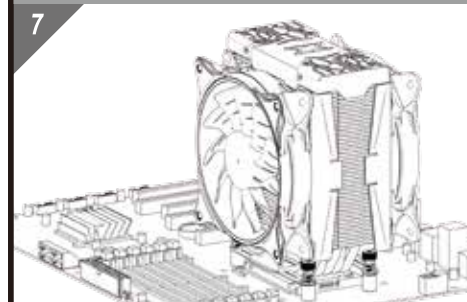
- 10 Install the AMD cooler base mounting brackets.

- 10 安裝AMD散熱器底座固定支架



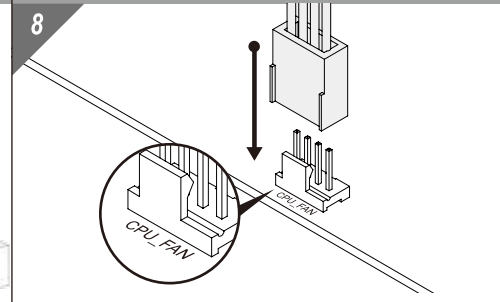
- 11 Align the AMD cooler base mounting brackets to backplate screw bolts, then place the air cooler on the CPU carefully.
- 12 Using spring screw nuts to complete the air cooler and motherboard installation.

- 11 安裝散熱器對準背板螺桿後放置在CPU上
- 12 使用彈簧螺母完成散熱器及主機板的安裝



- 13 Install cooling fan using included fan clips.

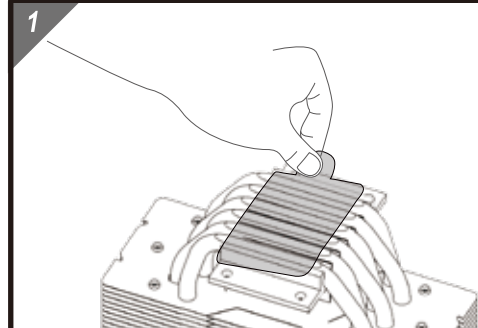
- 13 安裝散熱風扇



- 14 Connect cooling fan 4Pin PWM connector to motherboard CPU Fan socket.

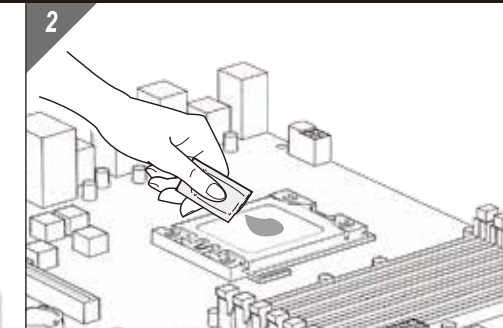
- 14 連接散熱風扇4Pin PWM接頭到主機板CPU Fan孔位

Intel LGA 2011/2011-V3/2066



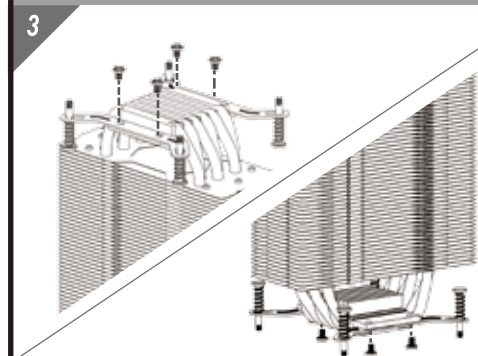
- 1 Remove cooler base protective film.

- 1 移除散熱器底座保護膜



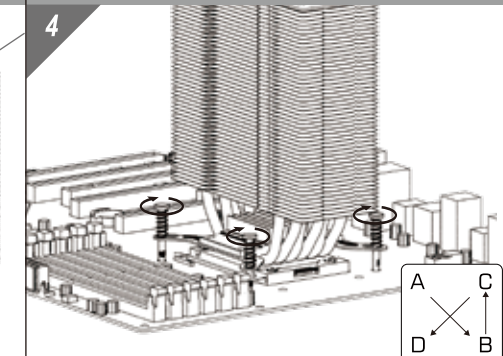
- 2 Clean the CPU surface.
- 3 Apply and spread the thermal paste to CPU evenly.

- 2 清潔CPU表面
- 3 CPU表面擠適量散熱膏，塗抹均勻



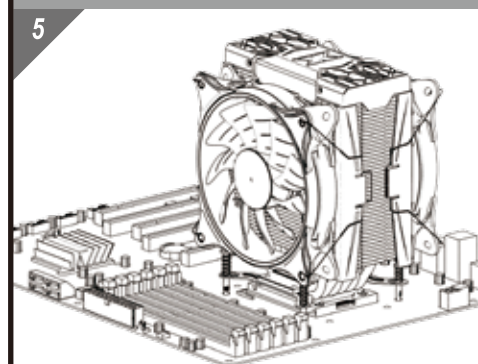
- 4 Install the Intel 2011/2066 cooler base mounting brackets.

- 4 安裝Intel 2011/2066散熱器底座固定支架



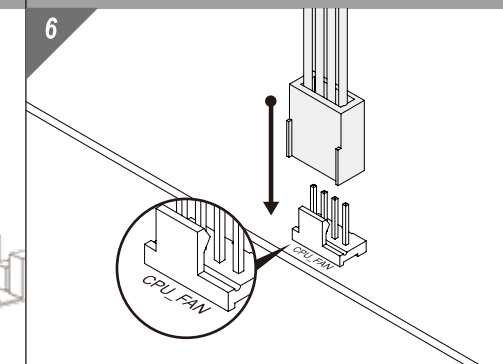
- 5 Align the Intel 2011/2066 cooler base mounting brackets to backplate screw bolts, then place the air cooler on the CPU carefully.
- 6 Using spring screw pillar to complete the air cooler and motherboard installation.

- 5 安裝散熱器對準背板螺桿後放置在CPU上
- 6 使用彈簧螺絲完成散熱器及主板的安裝



- 7 Install the Intel cooler base mounting brackets.
- 8 Install cooling fan using included fan clips.

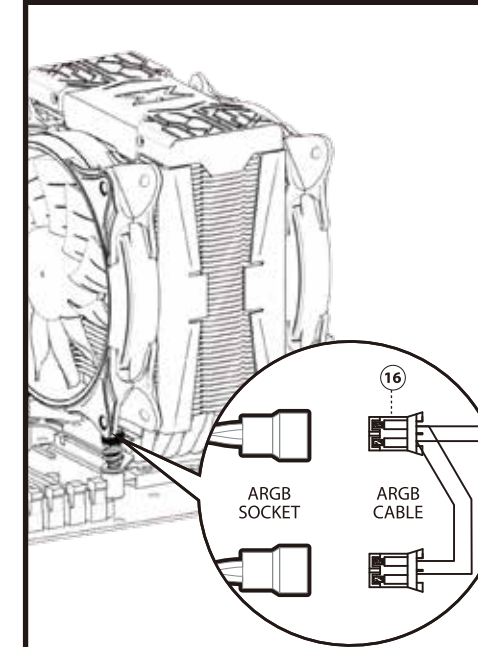
- 8 安裝散熱風扇



- 9 Connect cooling fan 4Pin PWM connector to motherboard CPU Fan socket.

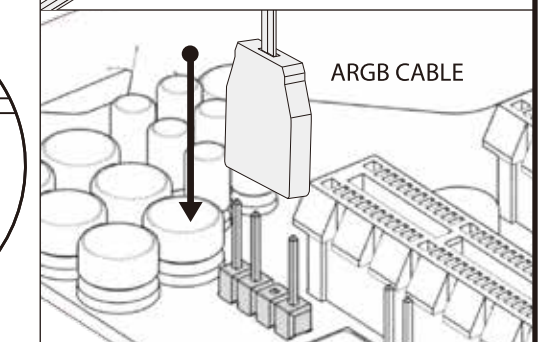
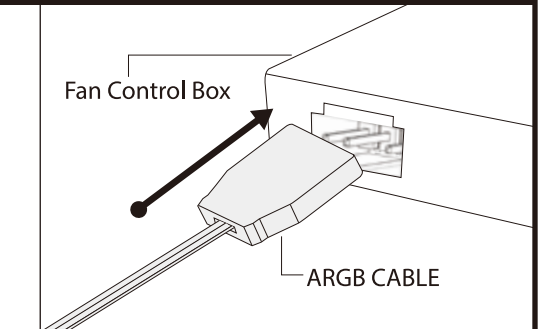
- 9 連接散熱風扇4Pin PWM接頭到主機板CPU Fan孔位

120mm ARGB Cooling Fan Cable & Connector Installation



- 1 Make sure the ARGB cable included is connect to ARGB socket

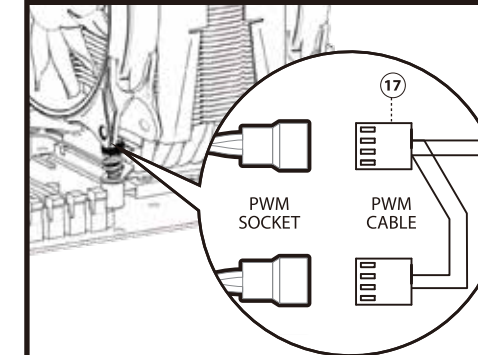
- 1 請確認將ARGB線材連接散熱器的ARGB插座



- 2 Please make sure the motherboard or fan control box are ARGB MB SYNC certified

- 2 請確認主機板或風扇控制盒是ARGB主機板同步認證

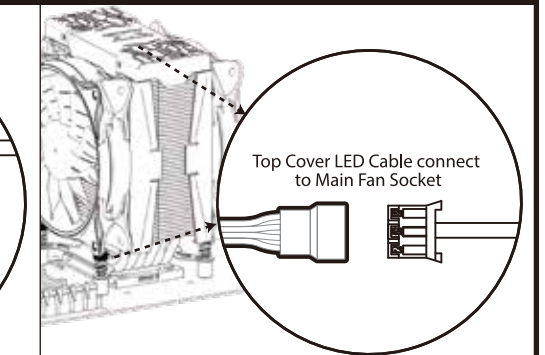
120mm Cooling Fan PWM Cable & Connector Installation



- 1 Make sure the PWM cable included is connect to PWM socket

- 1 請確認將PWM線材連接散熱器的PWM插座

ARGB Top Cover LED Cable Installation



- 1 Make sure the Top Cover LED cable is connect to main fan Top Cover LED socket

- 1 請確認將上蓋LED燈板線材連接主風扇的上蓋LED插座

XIGMATEK

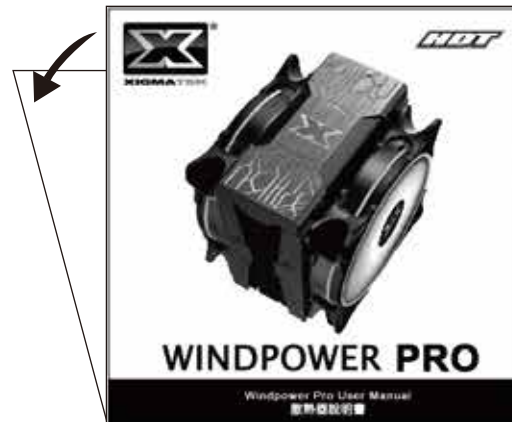
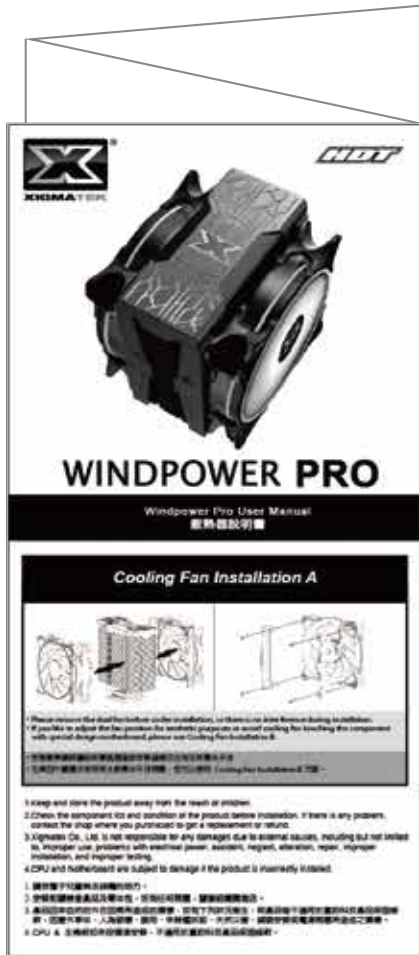
<http://www.xigmatek.com>
 E-mail : sales@xigmatek.com
 2019 © XIGMATEK Co., Ltd. All rights reserved.
 All trademarks are the property of their respective owners.

WINDPOWER PRO MANUAL 摺法 (單色黑雙面印刷)

N摺+對摺 100P模造紙印刷

尺寸：W420mm x H297mm

摺疊尺寸：W140mm x H148.5mm



這面要在上面

正面完成圖



背面完成圖

